

To ensure this product is installed correctly, please read these instructions carefully.
Keep these instructions handy for future reference.

Attention



Caution

Describes precautions that should be observed in order to prevent injury or damage to the vehicle or its components, which may occur if sufficient care is not taken.



Note

Provides additional information that facilitates installation work and care.

Failure to follow these instructions not only prevents the product from working properly but may lead to trouble with the vehicle. Be sure to follow all instructions carefully.

If there is anything unclear about the installation, handling and/or usage of the product, contact your dealer for clarification.

Safety Notes.

- Check that all work practices comply with safety standards.
- Please wear appropriate clothing and use safety equipment.



Parts Supplied.

- Backrest Cover x1
- Rear Seat Cushion x1
- Headrest Cover x2
- Centre Headrest Cover x1

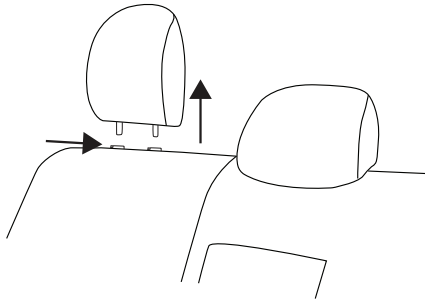
Important



Pictures shown in the below steps are for illustrative purposes only. Steps apply to both driver and passenger side seats.

HEADREST REMOVAL

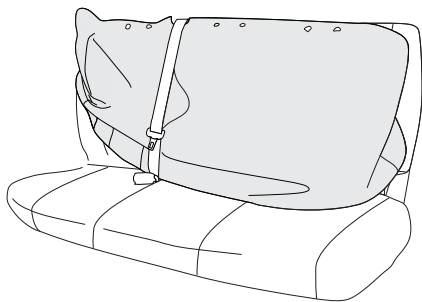
1



Remove all headrests by pressing the release both button and sliding the headrest upwards at the same time.

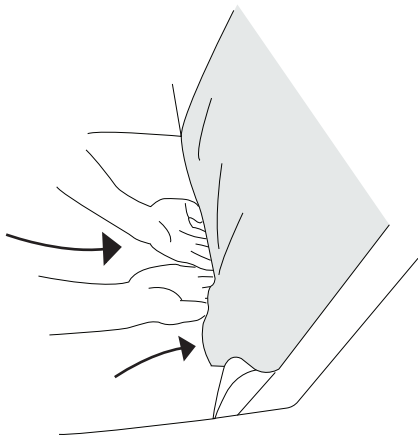
BACKREST COVER

1



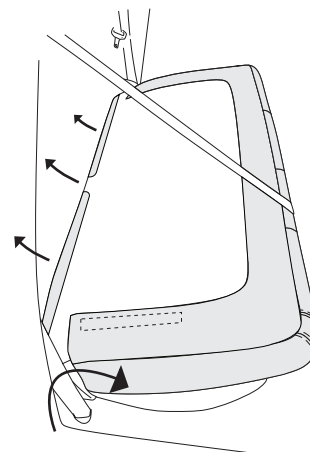
Locate and feed the backrest cover through in between the backrest and the seat belt, lining up the holes in the seat cover with the headrest post holes on the seat.

2



Tuck the bottom parts of the backrest cover under the bottom of the backrest and push through to the back of the seat.

3

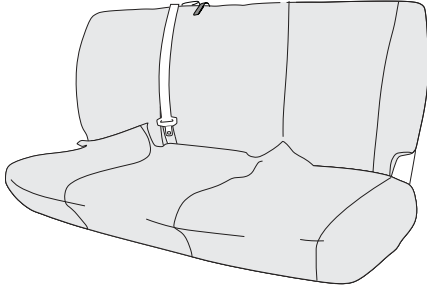


Pull the release latch to fold the backseat forward and finesse the seatcover fully through the gap

Affix the velcro seatcover tabs to the carpet material on the back of the seat.

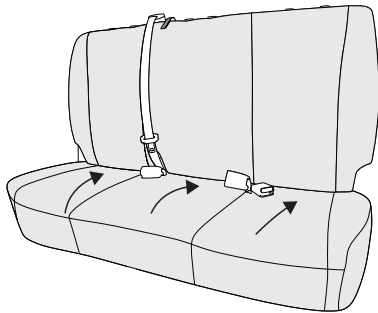
CUSHION COVER

1



Place the cushion cover over the seat base. Align to the seats contours and roll around the edge of the seat.

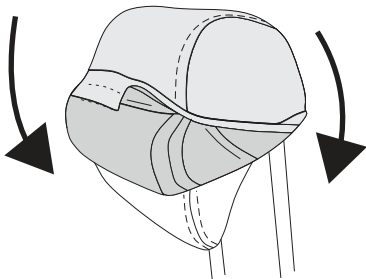
2



Push the middle part of the base cover through in between the seat base and backrest. Then fit the cover to the seat base and attach the hook & loop strips to the carpet under the seat.

HEADREST COVER

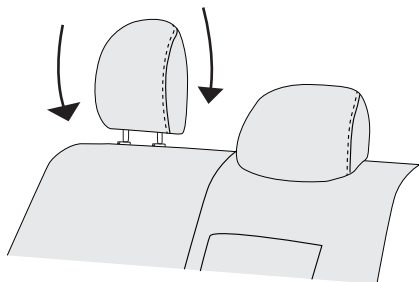
1



Starting from the top, line the seams up then roll cover down slowly. attached the hook and loop strips to complete fitting.

Note: The headrest covers are tight, be careful not to force and stretch the cover

2



Re-install 3 headrests to the seat backrest and check it is secure.